

# DIRECTIONS

For Operating

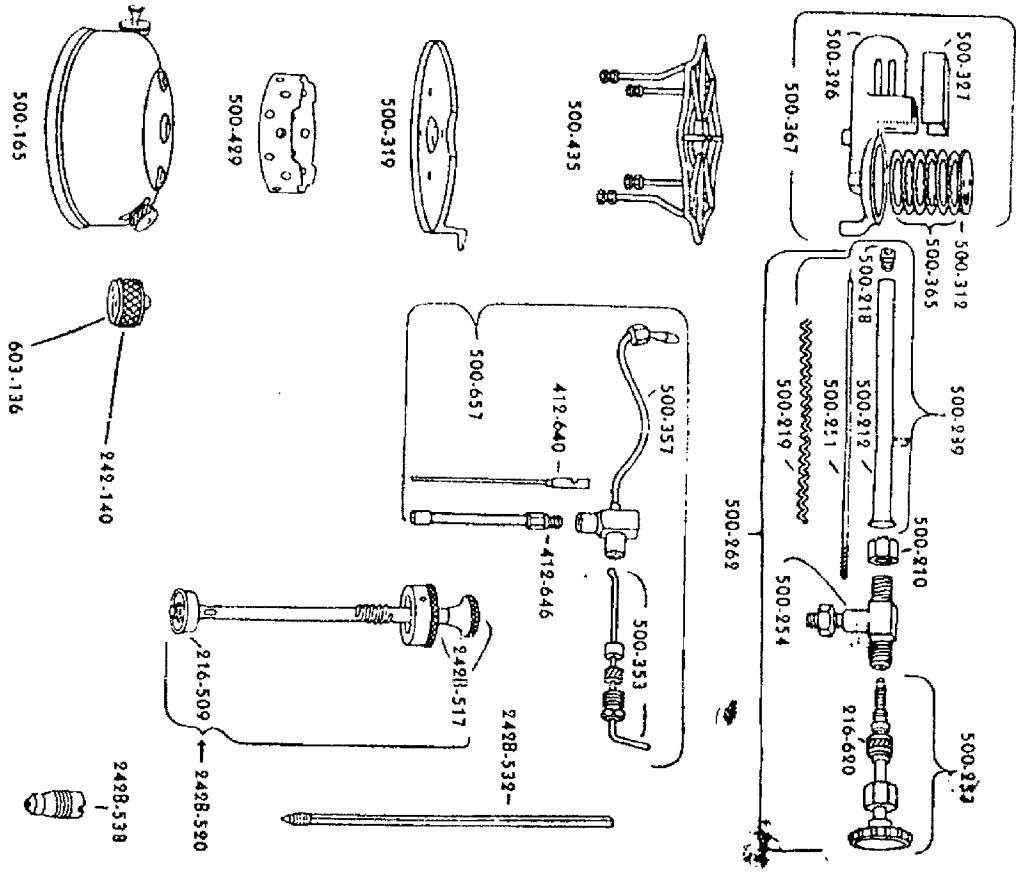


## GASOLINE STOVE No. 500

### "SPEED MASTER" Instant Lighting

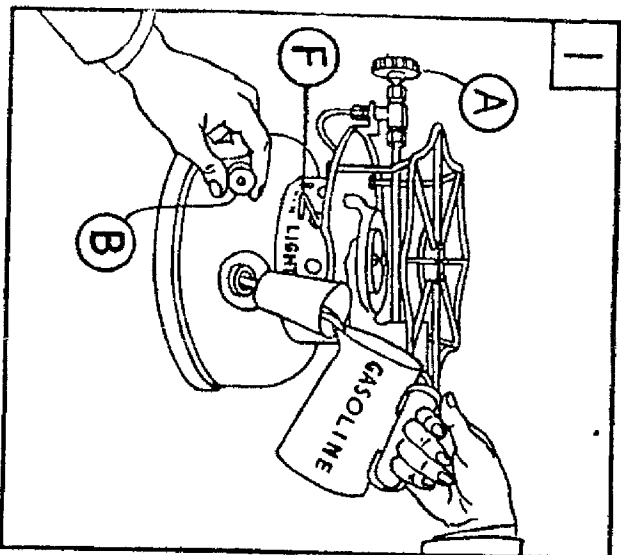


**The Coleman Company, Inc.**  
 General Offices and Factory: WICHITA 1 KANSAS, U.S.A.  
 Canadian Office and Factory: Toronto, Canada  
 Sales Offices: Chicago 11, Philadelphia 8, Los Angeles 54,  
 Honolulu, Hawaii  
 Export Offices: Chicago, Montreal, Toronto, Canada.  
 Printed in U.S.A.



### Parts List

Part No.	Name and Description of Part	Retail Price	Part No.	Name and Description of Part	Retail Price
216-509	Pump Leather	.06	500-254	Generator Valve Body	.42
216-620	Packing for Generator Stem	.03	500-252	Valve and Generator Complete	1.65
242-140	Filler Plug Complete	.42	500-289	Generator Complete (Gas Tip Marked "BX")	.81
242BS20	Pump Plunger Complete (Less Air Stem)	.60	500-312	Burner Cap	.15
242BS32	Air Stem	.27	500-319	Frame Base Plate	.48
242BS38	Check Valve	.27	500-326	Burner Casting	1.20
112-640	Eccentric Block and Needle	.15	500-327	Air Bail	.15
112-646	Instant-Like Fuel Tube Complete	.33	500-357	Lighting Stem Complete	.21
500-165	Font Complete	4.95	500-353	Valve Body and Fuel Tube	1.20
500-210	Generator Arm Nut	.09	500-385	Burner Rings (Set of Six)	.42
500-212	Generator Tube	.48	500-387	Burner Manifold Complete	1.95
500-218	Gas Tip (Marked "BX")	.18	500-429	Base Rest (Collar)	.33
500-219	Generator Filler Coil	.15	500-435	Crute Complete (with Nuts)	.81
500-251	Generator Regulating Needle	.33	500-657	Fuel Valve Body Complete	1.95
500-253	Generator Valve Stem Complete	.42	603-136	Filler Plug Gasket	.03

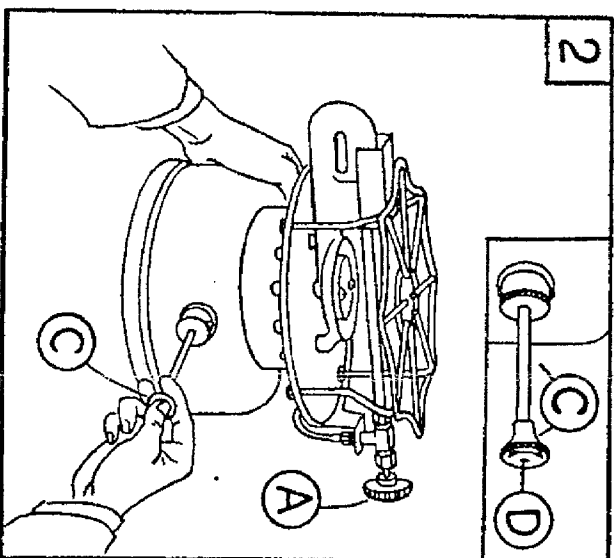


**1. To Fill: (See Illustration 1)**

Make sure Generator Valve Stem (A) is closed tightly to the right. Remove Filler Plug (B) and fill fount with gasoline, using No. 0 Coleman Filter Funnel. Do not use Ethyl gas or any leaded gasoline. You may fill up to level of Filler Plug Bushing if stove standing level. Replace Filler Plug (B) and tighten firmly with fingers. Turn Lighting Lever (F) to position: Light, as shown in illustration.

**2. To Pump: (See Illustration 2)**

Make sure Generator Valve (A) is closed tightly and Lighting Lever (F) is on Light position. Turn Pump Plunger (C) three full turns to the left. Place thumb over hole (D) in Pump Cap (C), pump 25-35 full strokes. Remove thumb; turn Pump Plunger to the right until tight. (Note: Instructions are stamped on Pump Cap).



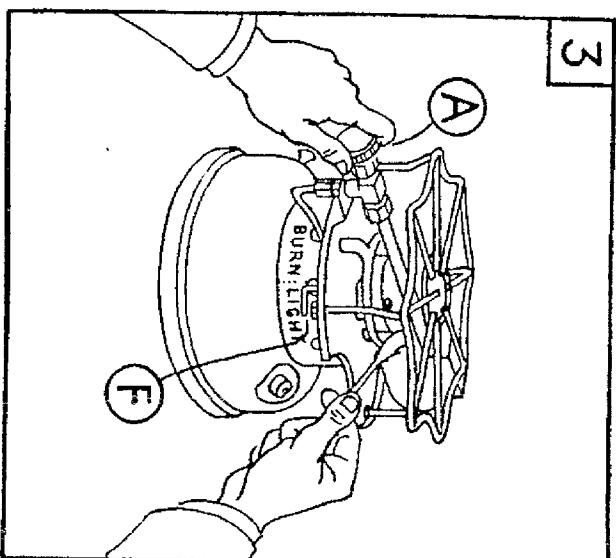
**3. To Light: (See Illustration 3)**

Be sure that:—1. Fount contains fuel. 2. Air pressure has been pumped into the fount. 3. Generator Valve (A) is closed tightly. 4. Lighting Lever (F) is on Light position.

Hold lighted match to Burner Cap with right hand; with left hand open Generator Valve approximately two full turns to the left. In a few seconds the Stove will light. After about one minute, turn Lighting Lever (F) to Burn position and leave it there all the time that stove is burning. You may now use Generator Valve Wheel (A) for regulating the flame (turning Generator Valve Stem (A) to the left or to the right.)

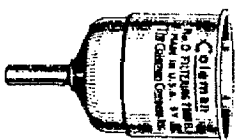
**To Turn Out**

Turn Generator Valve Wheel (A) to right until closed. The flame will go out in a few seconds. It is not necessary to remove pressure from the fount. Turn Lighting Lever (F) to Light position so it will be ready for next lighting.



**Filtering Funnel**

Most of the difficulty that users have with pressure gas lighting, heating, and cooking appliances is caused by dirty gasoline. Such gasoline quickly stops up the generators and gas tips with the result that the appliance does not operate properly. Gasoline accumulates dirt and impurities in handling; and also water which is condensed in the storage tanks. All this foreign substance can be removed when the gasoline is strained through the new Coleman Filtering Funnel. Price .75



# Coleman

# SPEED-MASTER TABLE STOVE

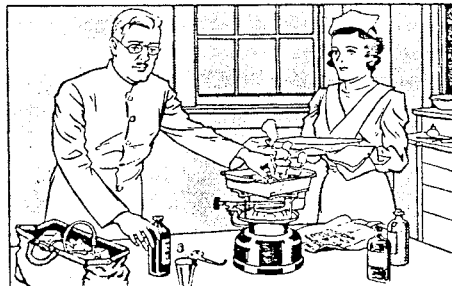
## The ONE-BURNER STOVE of a Hundred Uses



**FOR GENERAL HOUSEHOLD USE**—heating water for urgent needs; warming baby's milk; making tea, coffee, toast and candy; warming food; making soups, and many other household needs where a small amount of quick, dependable heat is needed.



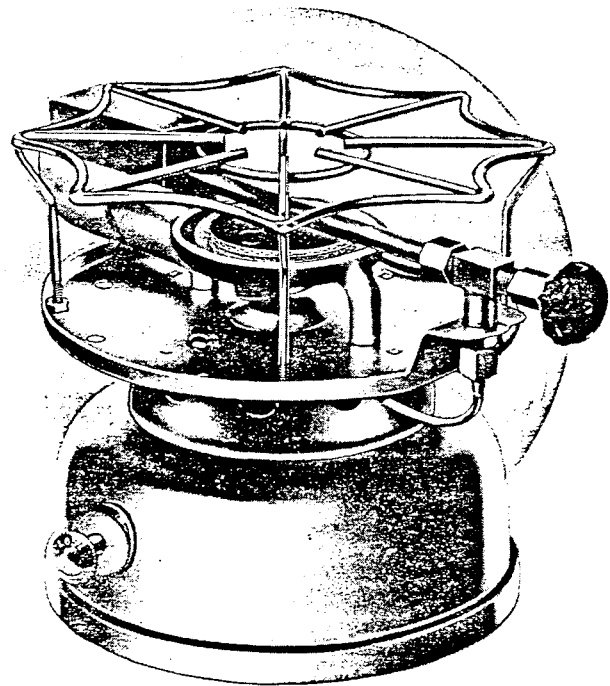
**IN CAMPS AND COTTAGES**—always take along a Speedmaster — there are miscellaneous light cooking needs for which you want quick heat around the camp. Compact and sturdy — easy to carry — wind-proof.



**FOR DOCTORS, DENTISTS, HOSPITALS**—Gives quick, clean, portable heat for office, laboratory use and out on calls to sterilize instruments, heat water. Boils one pint of water in 2¼ minutes.



**LUNCH COUNTERS, RESTAURANTS, hot dog stands, fair booths, carnivals, circuses and concessions.** The ideal emergency stove when other fuels fail.



## Model No. 500 Speed-Master Table Stove

Another New Coleman Product leads the way to new profits for dealers. Thousands already in actual use! Its **LOW PRICE, MANY USES, AND SPEEDY, ECONOMICAL OPERATION** create lots of sales opportunities. The **ONLY** portable one-burner stove with all these features!

**LIGHTS INSTANTLY**—Strike a match and light the burner instantly! No priming, no pre-heating. It makes its OWN gas. Burns 96% air.

**REGULATES INSTANTLY**—Any degree of heat you want — from the lowest simmer to almost a blow torch intensity. It's **HOT!**

**WIND-PROOF, QUIET, ODORLESS BURNER** — Same Band-A-Blu Type as on big Coleman ranges.

**SAFE**—Has all the well-known Coleman safeguards. Can't be filled while lighted; can't spill fuel if tipped over. Fuel fount tested three to five times normal operating pressure. Does not have to set level.

**SPEEDY**—Boils a pint of water in 2¼ minutes. Produces more than 7500 B.T.U.'s per hour.

**MANY "BIG STOVE" FEATURES**—large, long-lasting generator which is easily cleaned and replaced; automatic tip-cleaning needle; built-in pump, positive shut-off valve.

**BRASS FUEL FOUNT**—heavily nickel plated, rust-resisting. Capacity 2 pints.

Overall size: Height, 7 inches; width 10½ inches. Shipping weight, 5 pounds.

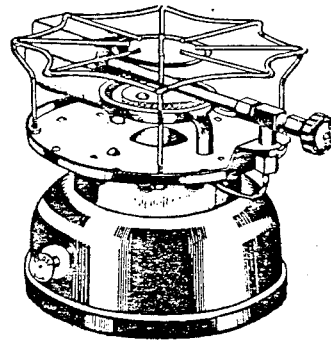
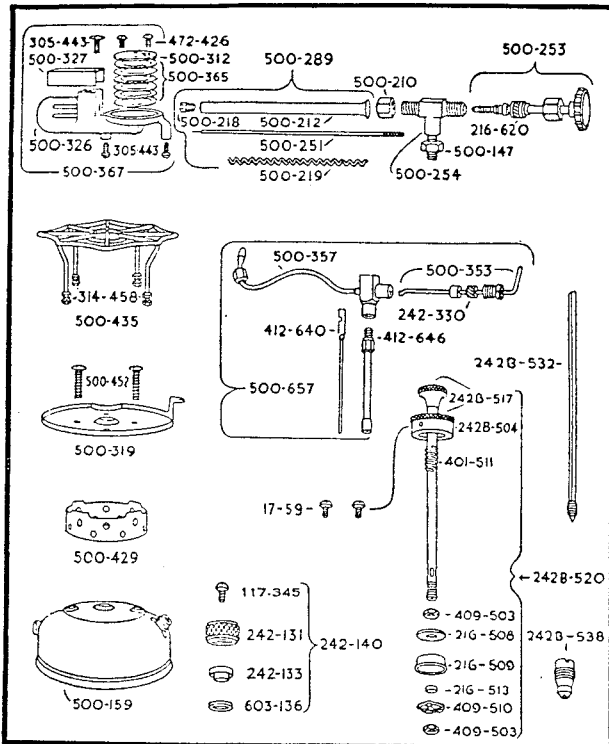
Model No. 500—Retail Price . . . . . **\$5.95**

# Coleman

# SPEED-MASTER TABLE STOVE

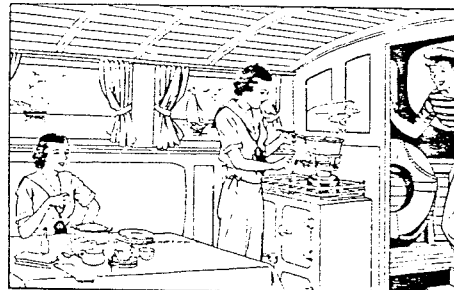
## Repair Parts List

MODEL No. 300

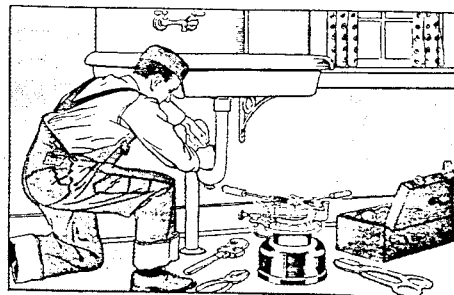


## Opens Vast, New Market

There's a need around every farm and in every home for this utility stove. Dealers demonstrating it are sure of fast, easy sales.



**FOR GALLEY USE ON BOATS, TRAILERS, BUSES—**  
A fine little quick-cooking stove; also fine for keeping trucks warm in cold weather.



**MECHANICS, GARAGEMEN, FARMERS—** This is a stove of a hundred uses, fine for heating soldering irons, melting babbitt and many other needs wherever you want fast, quick heat.

**DUCK HUNTERS—**Use it to warm duck blinds, and make coffee.

**BEEKEEPERS—**To render Wax and heat steam decappers.

**CANDY FACTORIES—**For melting chocolate and sugar.

**DAIRIES—**For heating milk wagons and trucks to prevent loss by frozen milk; and many other uses.

Part No.	Name of Part	Retail Price
500-289	Generator Tube, Needle, Coil & Gas Tip Assembled ("BX")	4.50
17-59	No. 4-36 x 1/2" R.H. Screw	.03
17-58	No. 4-36 x 1/2" Brass M.S. (U.S.A.)	.03
117-345	No. 8-32 x 1/2" R.H. Screw	.03
216-508	Leather Support Washer	.03
216-509	Pump Washer	.06
216-513	Spacer Sleeve	.03
216-620	Packing for Generator Stem	.03
242-131	Filler Plug Cap	.21
242-139	Filler Plug Core and Gasket	.18
242-140	Filler Plug Complete	.30
242-330	Packing for Lighting Lever	.03
242B-504	Pump Cap	.09
242B-517	Pump Rod and Handle	.18
242B-520	Pump Plunger Complete (Less air stem)	.45
242B-532	Air Stem	.18
242B-538	Check Valve	.18
305-443	10-24 x 3/8" O.H. Screw	.03
314-458	8-32 Nuts for Grate Posts	.03
401-511	Cushion Spring	.03
409-503	Hexagon Nut	.03
409-510	Pump Washer	.03
412-640	Eccentric Block and Needle	.09
412-646	Instant-Lite Fuel Tube Complete	.24
472-646	10-24 x 1/2" O.H. Screw	.03
500-147	Lock Nut	.06
500-165	Fount Complete	4.50
500-210	Generator Jamb Nut	.06
500-212	Generator Tube	.36
500-218	Gas Tip (marked "BX")	.12
500-219	Generator Filler Coil	.09
500-251	Generator Regulating Needle	.18
500-253	Generator Valve Stem complete	.30
500-254	Generator Valve Body	.30
500-312	Burner Cap	.09
500-319	Frame Base Plate	.36
500-326	Burner Casting	.90
500-327	Air Baffle	.09
500-353	Lighting Stem Complete	.15
500-357	Valve Body and Fuel Tube	.90
500-365	Burner Rings (set of 6)	.30
500-367	Burner Manifold Complete	1.50
500-429	Raise Rest (Collar)	.24
500-435	Grate Complete (with nuts)	.60
500-452	10-24 x 1/2" R.H. Screw	.03
500-657	Fuel Valve Body Complete	1.50
603-136	Filler Plug Gasket & Shake-Proof Washers	.03

**500/500A STOVE PARTS PRICE LIST**  
(Manufacture Date 500 1942-1953, 500A 1954-1962)

<u>PART #</u>	<u>DESCRIPTION</u>	<u>PRICE</u>
200-6381	CHECK VALVE & AIR STEM	2.20
216-5091	PUMP LEATHER	1.65
216A5091	PUMP CUP PGK	3.00
220C1401	FILLER CAP	2.75
242-1071	PUSH ON NUT	1.76
242A1401	FILLER CAP (SMALL)	3.50
242D5201	PUMP PLUNGER ASSEMBLY	5.50
412-6401	BLOCK & NEEDLE ASSEMBLY	2.64
425-6461	FUEL & AIR TUBE	1.98
500-147	NUT	.30
530A5071	PUMP CAP CLIP	.55

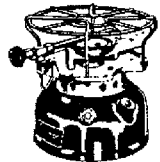
**NOTE\*\*\*\*\*ANY PART NUMBER LISTED IN THE PICTURE THAT IS NOT LISTED ON THE PRICE LIST IS NO LONGER AVAILABLE.**

PRICES SUBJECT TO CHANGE WITHOUT NOTICE

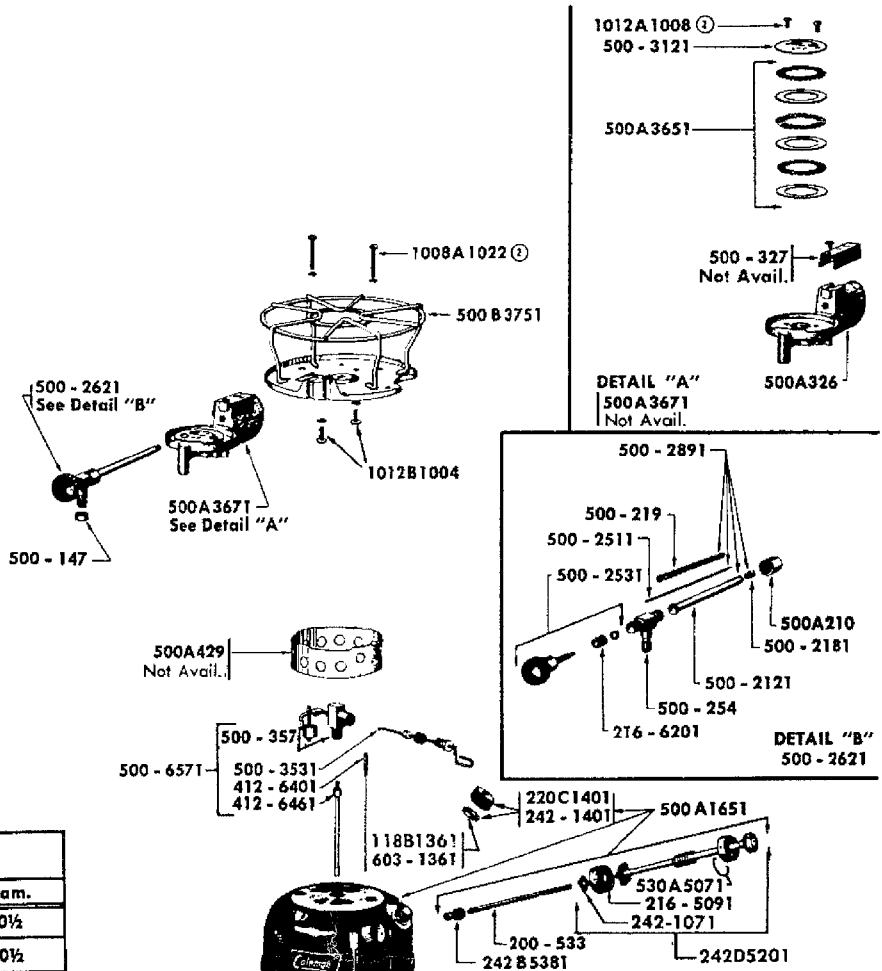
**500, 500A**  
INSTANT LIGHTING GASOLINE  
SPORTMASTER STOVE



Model 500  
(Discontinued)



Model 500A  
(Discontinued)



MODEL	TANK CAPACITY	DIMENSION (In Inches)	
		Height	Diam.
500	2 Pints	7	10½
500A	2 Pints	7	10½

Ⓢ Quantity of Parts Used in Assembly

**MODEL 500A SHOWN**