

## SUGGESTIONS

About Care and Use of Coleman  
Instant-Lighting Lantern No. 242C

- A. If Lantern Blazes up and Smokes When You Light It—  
*Cause:* Lighting Lantern in half-hot condition. This is nothing serious as the flame will burn out in a few seconds and will be followed by full brilliance.  
*Remedy:* Read and follow directions given in Paragraph 4.  
NOTE: See Suggestion "F" for other causes.
- B. If Lantern Does not Light at All:  
*Cause:* No fuel, lack of air pressure.  
*Remedy:* See that Fount contains clean fuel and then pump in 20 to 30 strokes of air into Fount.  
*Cause:* Generator stopped up by dirt or carbon.  
*Remedy:* Put in complete new Generator.
- C. If Light Grows Dim Rapidly or Goes Out Suddenly:  
*Cause:* Fount may leak air.  
*Remedy:* Pump up Fount and place in bucket of water to test for air leak. If bubbles come from Filler Plug, put in new Filler Plug Gasket, or get a new Filler Plug complete. If bubbles come from around the bushing where Valve Body screws into Fount, be sure connection is tight. If leak continues, send Lantern less Pyrex Glass Globe, Ball and Ventilator to nearest Coleman Office.
- D. If a Fuel Leak Develops at Lower End of Generator:  
*Cause:* Jamb Nut not threaded properly on Fuel Valve Body.  
*Remedy:* Close Fuel Valve. Tighten Jamb Nut at bottom of Generator with a wrench. If leak continues, put on a new Jamb Nut. If new Jamb Nut fails to stop leak, then trouble is with Fuel Valve Body, which should be replaced by a new one.
- E. If Generator Lasts Only a Short Time:  
*Cause:* May be dirty gasoline.  
*Remedy:* Clean Fount thoroughly. Strain gasoline when filling Fount.
- F. If Mantle Turns Black:  
*Cause:* Dirty Burner Cap.  
*Remedy:* Unscrew Burner Cap and clean or replace with a new one.
- G. If Built-in Pump Does not Work:  
*Cause:* Pump Leather may be dry.  
*Remedy:* Remove Pump Plunger and soften Pump Leather with oil.  
*Cause:* Pump Leather worn out.  
*Remedy:* Put on a new one.  
*Cause:* Plunger in Check Valve is stuck.  
*Remedy:* Remove Pump Plunger. Insert screw driver in Pump Barrel. Unscrew and remove Check Valve. Wash thoroughly in Gasoline and replace. If Pump still does not work, replace Check Valve with a new one.
- H. If Water Gets Mixed with Gasoline:  
*Remedy:* Clean Fount as outlined in Paragraph 7.

## Three Things

To Do Which Will Help This  
Coleman Lantern Give You Better  
Service and Longer Service.

1. Always use a good grade of fresh, clean gasoline. DONOT use any of the doped, Ethyl or Anti-Knock Gasolines in any Coleman pressure gas product.
  2. Read and carefully follow instructions given in this Direction Folder. If you will do this, you will avoid difficulties that result from improper operation and which are due to no fault of the products.
  3. Clean out the Fount of the Lantern every few months. This keeps the residue, which collects in the bottom of the Fount, from stopping up the Generator.
- If Lantern is to be stored away or is not used for sometime, remove all Fuel from Fount.

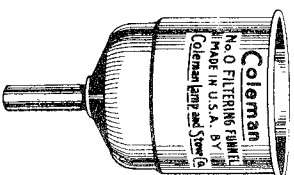
### WARNING

For Longest Service—For Best Service Use Only Genuine Coleman Parts and Accessories on this Coleman Appliance.

Each individual part is designed to exact precision and to work perfectly with all other parts; therefore, only Genuine Coleman Parts and Accessories can be trusted to give satisfactory service.

The use of other than Genuine Coleman Parts and Accessories invalidates the Coleman Guarantee.

## Coleman Filtering Funnel



Most of the difficulty that users have with pressure gas lighting, heating, and cooking appliances is caused by dirty gasoline. Such gasoline quickly stops up the generators and gas tips with the result that the appliance does not operate properly. Gasoline accumulates dirt and impurities in handling; and also water which is condensed in the storage tanks. All this foreign substance can be removed when the gasoline is strained through the new Coleman Filtering Funnel.

This funnel is strongly made of all copper and has in the bottom of it a fine-mesh copper wire strainer above which is a removable ring covered with a special filter fabric. When this fabric becomes saturated with gasoline, neither water nor dirt will pass through it. It is removable and can be cleaned by rinsing in fresh gasoline. This funnel is furnished to two sizes:

No. 0—Filtering Funnel	\$ .48
Pad for No. 0 Funnel	\$ .18
No. 1—Filtering Funnel	\$1.35
Pad for No. 1 Funnel	\$ .39

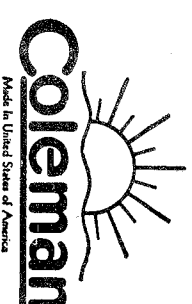
Listed below are the dimensions and capacity per minute of these two funnels.

No.	Diameter	Height	Outlet	Capacity per Min.
0	2 1/4 in.	3 3/4 in.	1/2 in.	1/2 Gal.
1	5 in.	6 in.	3/4 in.	4 Gals.

## DIRECTIONS for Operating

## COLEMAN Instant-Lighting LANTERN

No. 242C



### The Coleman Lamp and Stove Company

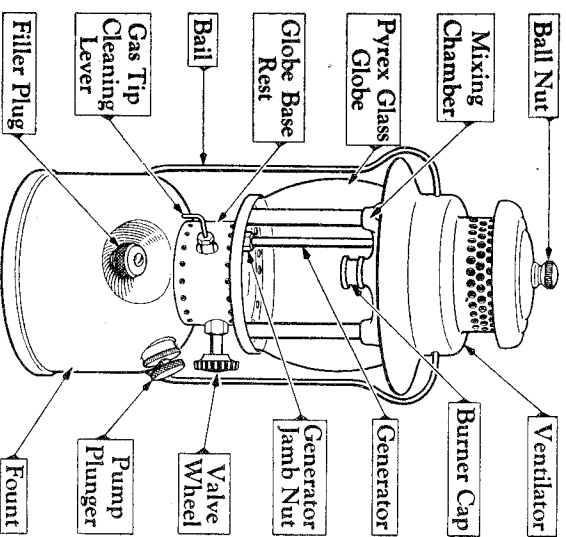
General Offices and Factory: WICHITA, KANSAS, U.S.A.  
Canadian Office and Factory: Toronto, Canada  
Sales Offices: Chicago; Philadelphia; Los Angeles;  
Honolulu, Hawaii.

# SAVE THIS SHEET FOR FUTURE REFERENCE

## Parts List For COLEMAN JUNIOR LANTERN No. 242C

### for Operating COLEMAN Instant-Lighting LANTERN No. 242C

Carefully follow these directions and you will experience no difficulty in operating your new Coleman Instant-Lighting Lantern and in getting the wonderful brilliance for which all Coleman Lanterns are famous.



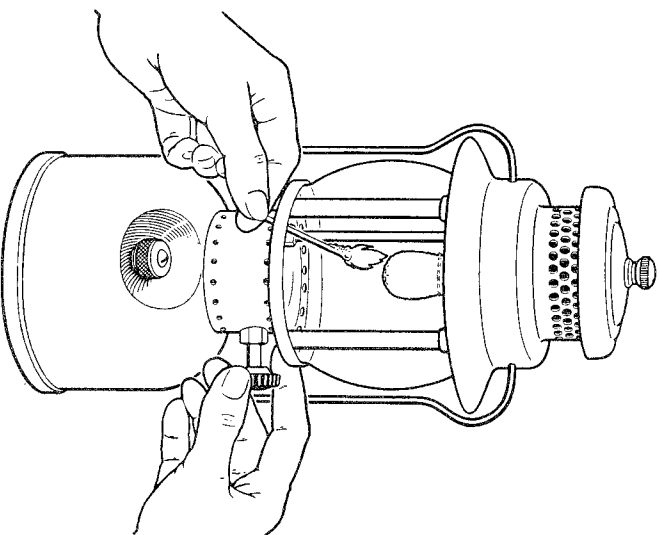
Place ball of thumb over small hole in end of Pump Plunger and pump 20 to 30 full strokes of air into Fount.

Now, turn Pump Plunger to right, seating air stem in check valve. Remove thumb and push Pump Plunger back into pump barrel. Good pressure is important. Keep pump leather soft with a few drops of oil.

#### 3. To Put on Mantle:

Remove Ball Nut from top of Lantern. Pull Ball out of Mixing Chamber and remove Ventilator and Pyrex Glass Globe. The Mantle to groove in Burner Cap with flat side of Mantle parallel to Generator. Distribute folds of Mantle evenly at top and cut off surplus string.

Then burn off Mantle following directions on Mantle envelope. Allow Mantle to cool several minutes before lighting Lantern. Replace Pyrex Glass Globe, Ventilator and Ball. Be sure Ball is in holes in Mixing Chamber. Then replace Ball Nut.



#### 4. To Light:

(a) At the base of the Lantern frame you will note the Gas Tip Cleaning Lever. When turned around this Lever causes the Gas Tip Cleaning Needle inside the Generator to work up and down. This keeps the Gas Tip clean and open. Turn the Lever several revolutions before lighting. Be sure that Lever is left pointing down.

(b) Have a match handy ready to light. Now OPEN THE FUEL VALVE ONE-FOURTH TURN ONLY. Then light the match inserting it through the higher opening and hold it under the Mantle as shown in the Illustration. It may require a few seconds for the Mantle to reach the Mantle, but when it does the Mantle will light instantly. AFTER MANTLE BURNS BRIGHT OPEN FUEL VALVE AS FAR AS POSSIBLE. This is important and must be done in order to get good light. It is impossible to open the Fuel Valve too far.

The Gas Tip Cleaning Lever may and should be operated while lantern is burning. Should Lantern fail to burn bright after Fuel Valve is wide open, turn Gas Tip Cleaning Lever rapidly two or three times.

Note: The light may flicker for a few seconds after lighting but it will soon steady down. After lighting lantern, pump in additional pressure to insure long operation.

#### 5. To Turn Out Light:

Turn Fuel Valve to right until closed. The light will dim and go out in a few seconds.

#### 6. To Change Generators:

Remove Ball Nut from top of Lantern. Pull Ball out of Mixing Chamber and remove Ventilator and Pyrex Glass Globe.

Be sure Fuel Valve is closed. Then turn Gas Tip Cleaning Lever up. Unscrew Generator Jamb Nut at lower end of Generator. Lift Generator up and unhook Gas Tip Cleaning Needle. Then pull Generator with Cleaning Needle down and out.

#### To Install New Generator with Cleaning Needle:

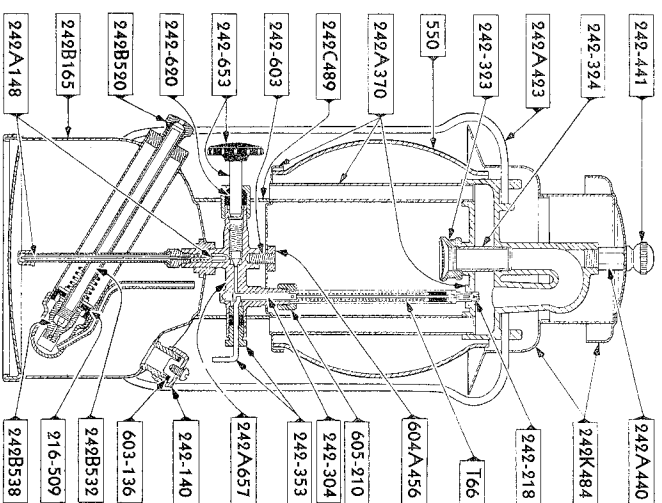
First, pull Cleaning Needle down against stop, holding Generator in upright position. Push Generator through opening in Mixing Chamber and hook Cleaning Needle in hole of Tip Cleaner Eccentric Block. Now turn Gas Tip Cleaning Lever down. Seat Generator properly. Screw Generator Jamb Nut down, tightening with wrench.

Replace Pyrex Glass Globe, Ventilator and Ball. Be sure Ball is in holes in Mixing Chamber. Then replace Ball Nut.

#### 7. Keep Fount Clean:

It is a good plan to drain the Fount each time before filling. The Fount should be given a thorough cleaning at least once a month. This removes yellow dirty gasoline and sediment which stops up the Generator and causes difficulty in operation. Simply remove the filler Plug and drain Fount through Filler Plug Opening.

Your lantern will light easier and better on fresh gasoline.



Order by Number	Name of Part	Net Retail Price
21A	Mantle Dozen	\$ 1.00
T-66	Generator (Gas Tip Marked "6") (242A299)	50
550	Pyrex Glass Globe (Bulged Type)	75
216-509	Pump Leather	.06
242-140	Filler Plug Complete	.33
242-118	Gas Tip (Marked "6")	.09
242-304	Tip Cleaner Eccentric Block	.09
242-324	Burner Cap and Screen	.33
242-324	Burner Tube	.18
242-353	Tip Cleaner Stem Complete	.18
242-441	Ventilator Bolt Nut	.09
242-620	Valve Stem Packing	.08
242-653	Valve Stem Complete	2 for .33
242A148	Fuel & Air Wire Complete (Fuel Tip Marked "T")	.38
242A370	Frame and Burner Complete	1.55
242A423	Ball	.72
242A440	Ventilator	.72
242A557	Fuel Valve Rod	1.52
242B165	Fuel Valve Complete	1.52
242C489	Fount Complete	4.09
242B520	Globe Base Nest	1.18
242B532	Pump Plunger Complete (less Air Stem)	.21
242B532	Pump Air Stem	.21
242K484	Check Valve	.81
604A456	Ventilator	.03
604A456	Filler Plug Gasket	.03
604A456	Hexagon Brass Nut (1/4"-20)	.03
605-210	Jamb Nut	.03

\*Prices Subject to Change Without Notice\*