

or carbon.  
**Remedy:** Put in a new generator.

**Cause:** Dirty kerosene.  
**Remedy:** Clean fount as outlined in paragraph No. 8. Use only fresh, clean kerosene. The No. 0 Coleman Filtering Funnel should be used.

3. **If Light Grows Dim Rapidly or Goes Out Suddenly—**

**Cause:** Fount may leak air pressure.  
**Remedy:** Pump up fount and place in bucket of water to test for air pressure leak. If bubbles come from Filler Plug, tighten firmly. If leak continues, put in new filler plug gasket, or if necessary, install new filler plug. If bubbles come from around the bushing, where valve body screws into fount, be sure connection is tight. If unable to stop leak, send complete lantern to nearest Coleman Branch, or ask your Dealer to send it in for you.

**Cause:** Fuel consumed.  
**Remedy:** Fill fount with fresh, clean, kerosene and then pump 30 to 40 strokes of air into fount.

4. **If a Leak Develops at Lower End of Generator—**

**Cause:** Generator not properly seated on fuel valve.  
**Remedy:** Close Valve. Then tighten jamb nut at bottom of generator with a wrench. If leak continues, put on new generator. If new generator fails to stop leak, then replace fuel valve.

5. **If Generator Lasts Only a Short Time—**

**Cause:** Dirty Kerosene.  
**Remedy:** Clean fount as outlined in paragraph No. 8. Use only fresh, clean kerosene and Coleman Filtering Funnel No. 0.  
**Cause:** Continued careless lighting.  
**Remedy:** Read and carefully follow directions regarding lighting of Lantern. See paragraph No. 4.

6. **If Mantles Turn Black—**

**Cause:** Air intake tube or mixing chamber may be obstructed with spider webs or insects.  
**Remedy:** Clean out the air-intake tube and mixing chamber with a stiff wire, then use air to blow out obstruction.

**Cause:** Dirty burner cap.  
**Remedy:** Unscrew burner cap and clean or replace with a new one.

**Cause:** Enlarged gas tip orifice.  
**Remedy:** Put in new gas tip or replace generator.

**Cause:** Mantles may be of inferior quality.  
**Remedy:** Always use genuine Coleman Senior Mantles.

7. **If Built-in Pump Does Not Work—**

**Cause:** Pump leather may be dry.  
**Remedy:** Remove pump plunger and soften pump leather with oil.

**Cause:** Pump leather may be worn out.  
**Remedy:** Replace with a new one.

**Cause:** Check ball in check valve stuck.  
**Remedy:** Remove pump plunger. Insert screw driver in pump barrel. Unscrew and remove check valve. Wash thoroughly in kerosene and replace. If pump still does not work, replace check valve with a new one.

8. **If Water Gets Mixed with Kerosene—**

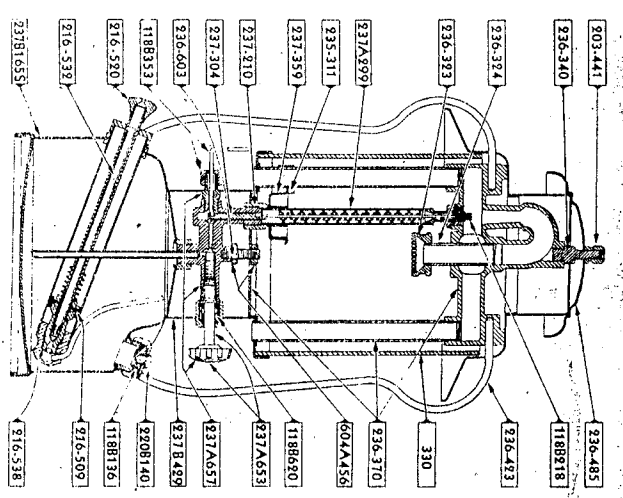
**Remedy:** Clean fount as outlined in paragraph No. 8.

**WARNING**

For Longest Service—For Best Service Use Only Genuine Coleman Parts and Accessories on this Coleman Appliance.

Each individual part is designed to exact precision and to work perfectly with all other parts; therefore, only Genuine Coleman Parts and Accessories can be trusted to give satisfactory service.  
 The use of other than Genuine Coleman Parts and Accessories invalidates the Coleman Guarantee.

**Parts List for Coleman  
 Kerosene Mantle Lantern  
 No. 237B**



Repair Parts in Canada Slightly Higher in Price on Account of Customs Duty.

Order by Number	Name of Part	Net Retail Price
330	Pyrex Glass Globe	\$1.00
118 B 136	Filter Plug Gasket	.03
118 B 218	Gas Tip (Marked "V")	.09
118 B 333	Tip Cleaner Stem Complete	.39
118 B 620	Valve Stem Packing	.03
203 B 620	Ventilator Ball Nut	.12
203 B 644	Pump Plunger Complete (less Air Stem)	.06
216 B 339	Air Stem	.21
216 B 332	Filter Plug Complete	.54
220 B 330	Check Valve	.21
225 B 411	Spring Clip	.09
225 B 421	Burner Cap & Screen	.33
225 B 370	Ventilator Rod	.18
225 B 423	Frame & Burner Complete	3.30
225 B 485	Valve	.18
225 B 485	Fuel Valve	1.65
225 B 603	Fuel Valve Connection Stud	.09
227 B 210	Jamb Nut	.12
227 B 304	Tip Cleaner Stem Complete with Wick	.19
227 B 359	Generator Cap Complete with Gas Tip (Marked "V")	.18
227 A 239	Generator Cap Complete with Gas Tip (Marked "V")	.18
227 A 653	Valve Stem Complete	.39
227 B 657	Valve Complete	2.40
227 B 1658	Fount Complete	4.95
227 B 429	Globe Base Feet	.21
242 K 910	Alcohol Generator, Can	.33
504 A 485	Hexagon Nut (1/4" 20)	.03

\*Repair Parts Prices Subject to Change Without Notice.

**DIRECTIONS**

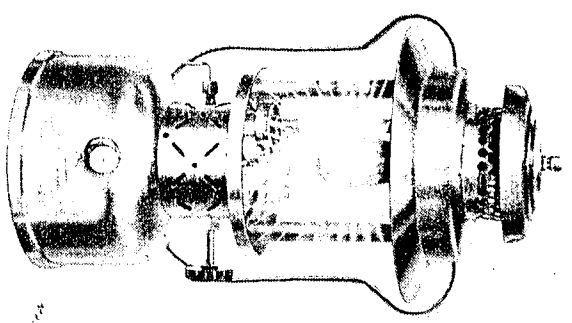
For Operating

**Coleman**

**Kerosene Mantle**

**Lantern**

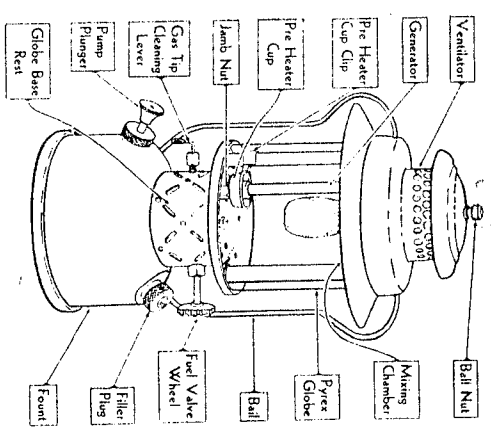
**Model No. 237B**



**The Coleman Lamp and Stove Company**

General Offices and Factory: WICHITA, KANSAS, U.S.A.  
 Canadian Office and Factory: Toronto, Canada.  
 Sales Offices: Chicago, Philadelphia, Los Angeles, Honolulu, Hawaii.

**Directions for Operating**  
**No. 237B**  
**COLEMAN KEROSENE**  
**MANTLE LANTERN**  
 Alcohol-Generating



**TO FILL FOUNT—**

**CAUTION:** It is best to fill the lantern out-of-doors and in daylight so as to avoid having open fuel inside the building. Be sure the fuel valve is closed. Remove filler plug. Fill fount with fresh, clean kerosene. Now, replace filler plug and tighten with fingers.

We recommend the use of the Coleman Filtering Funnel No. 9, which removes dirt and water from the kerosene. Your dealer can supply.

**TO PUMP—**

See that Fuel Valve is closed. Then open air check valve inside of pump barrel by turning pump plunger three full turns to the left. Place ball of thumb over small hole in end of pump plunger and pump 30 to 40 full strokes of air into fount.

Now, turn pump plunger to right, to close air stem in check valve, remove thumb and push pump plunger back into pump barrel.

Keep pump leather soft by occasionally applying a few drops of oil.

**3. TO ATTACH MANTLE—**

Remove ball nut from top of Lantern. Pull ball out of mixing chamber by spreading apart. Remove ventilator and Pyrex Glass Globe. The mantle to groove in burner cap, with fat side of mantle parallel to generator. Distribute folds of mantle evenly at top and cut off surplus string.

Then burn off mantle, following directions on mantle envelope. Allow Mantle to cool several minutes before lighting lantern.

Replace Pyrex Glass Globe, Ventilator and ball. Be sure ball is in holes in mixing chamber. Then replace ball nut.

**4. TO LIGHT—**

At the base of the Lantern Frame, you will note the gas tip cleaning lever. When turned around this lever causes the gas tip cleaning needle inside the generator to work up and down. This keeps the gas tip clean and open. Turn this lever several complete revolutions before lighting. BE SURE LEVER IS LEFT POINTING DOWN SO CLEANING NEEDLE WILL BE OUT OF THE GAS TIP.

Fill the alcohol filling can three-fourths full of denatured or wood alcohol.

Insert spout of filling can through hole in frame bottom. Fill the preheater cup three-fourths full of alcohol.

LIGHT THE ALCOHOL WITH A MATCH INSERTED THROUGH THE HOLE IN THE FRAME BOTTOM.

IN ABOUT TWO MINUTES OR JUST BEFORE PREHEATER BURNS DRY, OPEN FUEL VALVE ONE-HALF TURN TO LEFT. BE SURE TO OPEN FUEL VALVE BEFORE ALL OF ALCOHOL IS BURNED OUT OF PREHEATER CUP.

The Mantle will light from alcohol flame.

Careful and sufficient preheating of the generator with alcohol and several complete revolutions of the gas tip cleaning lever each time the lantern is lighted will help to avoid formation of carbon in generator and will lengthen the life of the generator.

**5. TO TURN LIGHT OUT—**

Close fuel valve by turning valve wheel to right until valve is closed tightly. The light will dim and go out in a few seconds.

**6. TO KEEP LIGHT AT FULL STRENGTH—**

After two or three nights' use, the light may begin to dim. Pumping more air into fount and several revolutions of the gas tip cleaning lever will bring light to full brilliance.

**7. TO CHANGE GENERATORS—**

Remove ball nut from top of Lantern. Pull ball out of mixing chamber and remove ventilator and Pyrex Glass Globe.

Be sure fuel valve is closed. Then turn gas tip cleaning lever up. Unscrew generator jamb nut at lower end of generator. Lift generator up and unhook gas tip cleaning needle. Then pull generator with cleaning needle down and out.

To install New Generator with Cleaning Needle:

Pull cleaning needle in generator down about 1 inch.

Place cleaning needle between forefinger and thumb, holding generator in upright position. Push generator through opening in air intake tube and hook cleaning needle in hole of eccentric block.

Now, turn cleaning needle lever down.

Seat generator properly and screw jamb nut down, tightening with wrench.

Replace Pyrex Glass Globe, Ventilator and ball. Be sure ball is in holes in mixing chamber. Then replace ball nut.

**8. KEEP FOUNT CLEAN—**

It is very desirable that the fount be drained at each filling.

The fount should be given a thorough cleaning at least once a month.

This removes dirty or stale kerosene and sediment which might otherwise stop up the generator and cause difficulty in operation.

Simply remove filler plug and drain fount through filler plug opening.

A clean fount and fresh kerosene will insure better light and better generator service.  
**ALWAYS USE GENUINE HIGH-POWER COLEMAN MANTLES.**  
 The No. 20 Grade "A" Coleman Silk-Lite Mantle is made to work perfectly with the Generator, Air Intake and Fuel Mixture of this Coleman Kerosene Mantle Lantern. Therefore, we recommend that only No. 20 Grade "A" Mantles be used on this lantern.  
 We cannot guarantee either the quality or quantity of light produced by any Coleman Lamp or Lantern if an inferior low-grade mantle is used.



**SUGGESTIONS**

For Care of Coleman Kerosene Mantle Lantern  
 No. 237B

**1. If Lantern Blazes Up or Smokes When You Light It—**

**Cause:** Incorrect lighting.

**Remedy:** Read and follow directions given in paragraph No. 4.

**Cause:** Enlarged gas tip orifice.

**Remedy:** Put in new gas tip or new generator.

**Cause:** Lighting Lantern in a half-hot condition.

**Remedy:** Completely re-generate Lantern as when cold.

**Cause:** Air intake or mixing chamber may be stopped up.

**Remedy:** Clean air intake and mixing chamber with a stiff wire, then blow out with air.

**2. If Lantern Does Not Light at All—**

**Cause:** Fuel consumed.

**Remedy:** Fill fount with clean fuel, then pump 30 to 40 strokes of air into fount.

**Cause:** Gas tip may be stopped up.

**Remedy:** Revolve gas tip cleaning lever several times. Be sure gas tip cleaning lever is pointing down.