

NAME AND TYPE LANTERNS, Kerosene, Mantle-Type

MODEL NUMBER -- 234 and 235

FIRST PRODUCTION -- 1936

DESCRIPTION:

In 1936, the Coleman Company introduced two kerosene mantle lanterns which matched in appearance and performance its popular 220 and 242 double and single-mantle gasoline burning lanterns. The 2-mantle Model 235 kerosene lantern produced up to 300 candlepower of light, was virtually wind, water and insect proof, and was sturdily built for long, dependable service.

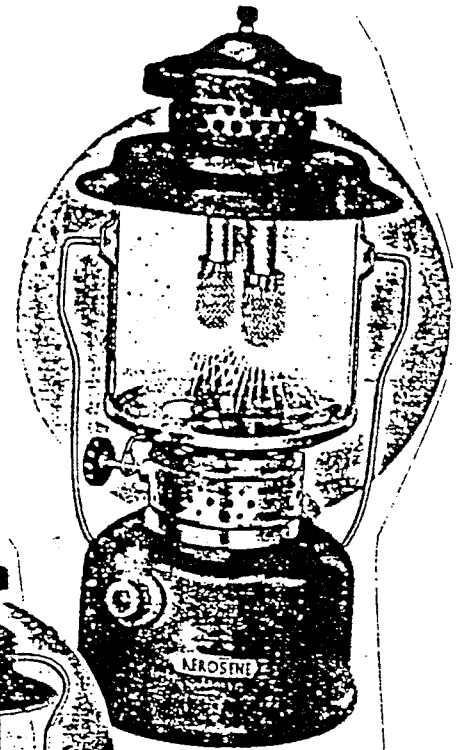
The No. 234 single-mantle lantern produced up to 175 candlepower, weighed less than 5 pounds and was 12 1/2 inches in height.

Both models were equipped with burners which would burn kerosene or gasoline; however, preheating of the generator was necessary when kerosene was used as fuel.

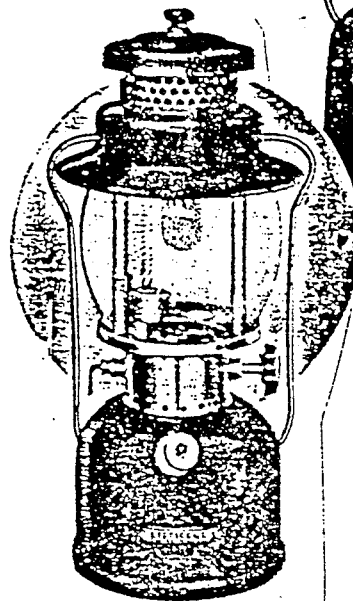
Pyrex globes were common to both models as were the green porcelain enamel finished ventilator tops and brass founts finished in baked-on green enamel.

Retail price of the 2-mantle No. 235 was \$7.45 while the smaller No. 234 retailed at \$5.95.

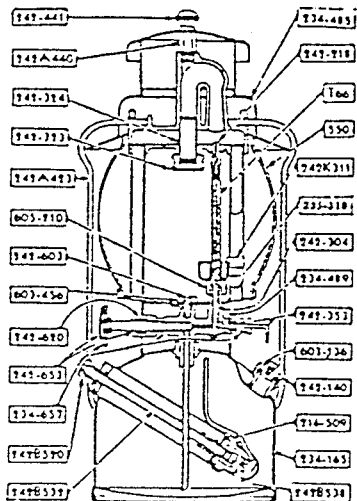
Reference: Form S-116, 1936 Jobber Catalog.



Model No. 235

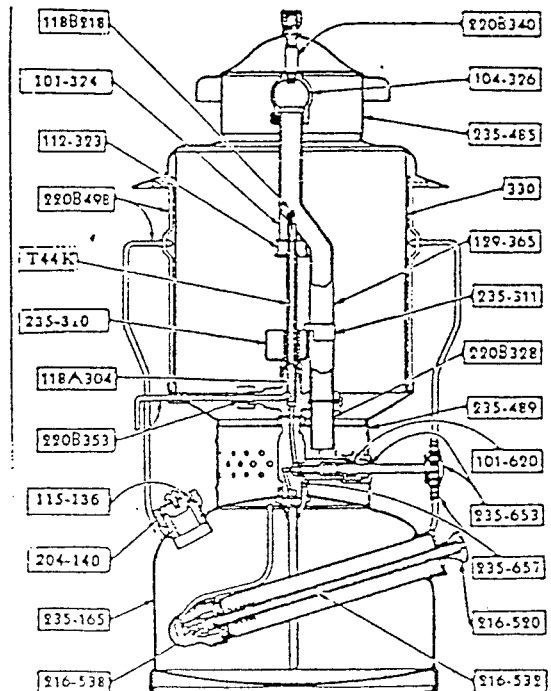


No. 234



KEROSENE SINGLE MANTLE LANTERN

Model No. 234



KEROSENE DOUBLE MANTLE LANTERN