

With a cloth over the finger, brush lightly across the Wick from the outside towards the inside of the Wick. This action should leave a smooth, charred surface on the Wick.

Push the Outer Wick Tube back to correct position, then lock it. After the Wick has soaked with Kerosene sufficiently, light the Lamp in regular way.

It may be necessary each day, for a few days, to give the Wick a little attention as outlined in previous paragraphs.

Care of the Lamp

MORE LIGHT — BETTER LIGHT will be given by your new Lamp if you rinse the Fount and Wick with clean kerosene every one to two months; and by keeping the Burner parts free from accumulation of gummy oil, dust and carbon.

REPAIR PARTS LIST NO. 160

Coleman Ker-O-Lite Lamp

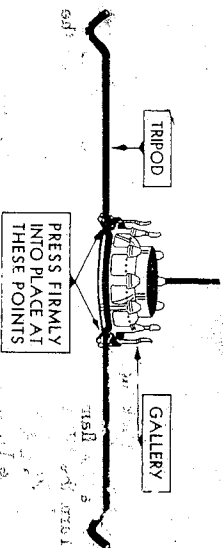
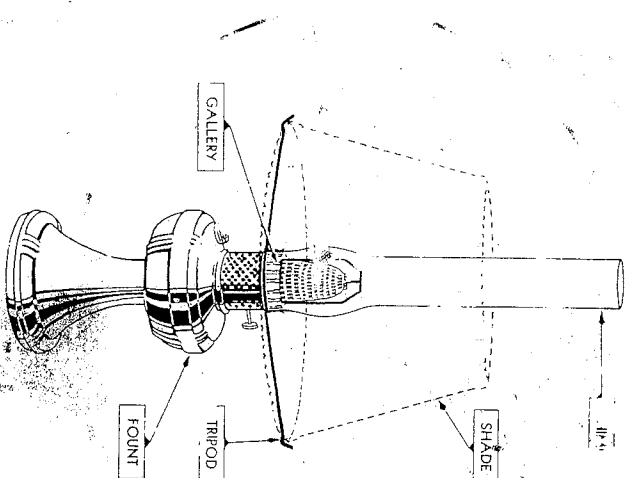
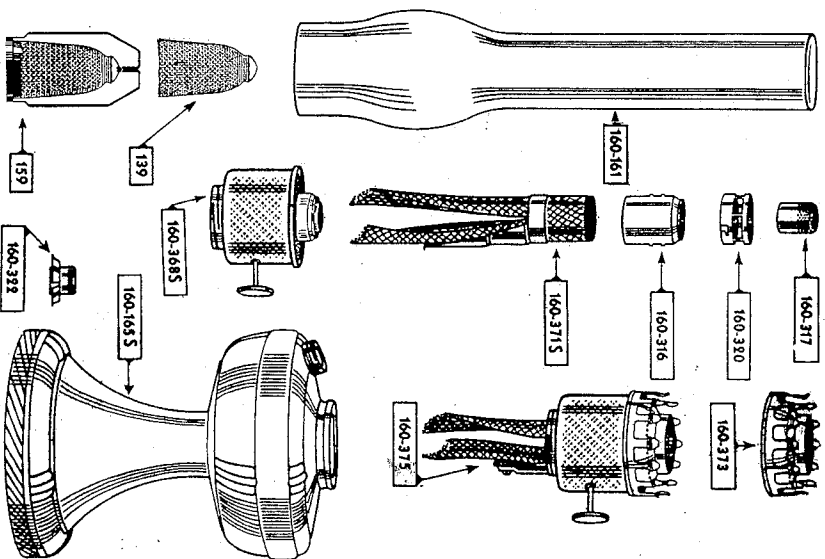
Order by Number	Name of Part	Net Retail Price
139	Mantle (Only)	\$.25
159	Mantle and Holder	.35
160 - 161	Chimney	.69
160 - 165S	Glass Fount	2.40
160 - 316	Outer Wick Tube	.18
160 - 317	Flame Spreader	.18
160 - 320	Flame Flange	.33
160 - 322	Wick Trimmer	.18
160 - 368S	Burner Base (Less Wick)	4.05
160 - 371S	Wick Complete	.35
160 - 373	Gallery	.81
160 - 375	Burner Complete (With Wick)	4.95

"Repair Parts Prices Subject to Change Without Notice."

REPAIR PARTS

No. 160

Coleman Ker-O-Lite Lamp



To Assemble Tripod
Lay Gallery flat on table and press Tripod firmly on head on Gallery.

DIRECTIONS

for

Assembly, Operation
and Care of

Coleman

KER-O-LITE LAMP

Kerosene-Mantle-Wick Type

No. 160

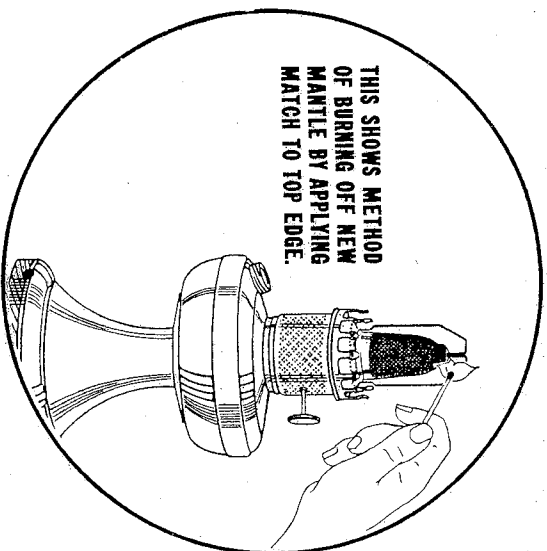
Made in the United States of America

The Coleman Lamp and Stove Company

Regional Offices and Factory: WICHITA, KANSAS, U.S.A.
Canadian Office and Factory: Toronto, Canada
Sales Offices: Chicago, Philadelphia, Los Angeles, Portland, Oregon,
Honolulu, Hawaii.

Patent U.S.P.

Patent U.S.P.



THIS SHOWS METHOD OF BURNING OFF NEW MANTLE BY APPLYING MATCH TO TOP EDGE.

Figure 1

To Assemble Lamp

Screw Burner into the Fount. Insert Perforated Flame Spreader No. 160-317 into the Wick Tube and push it down against the Cross Bar. If Parchment Shade is to be used, remove the Gallery No. 160-373 and place it flat on a table, then press Tripod down over it firmly. Replace the Gallery onto the Burner. Lift the Mantle from the carton by wire frame and place it on the Burner Gallery with notched places matched to grooves; next, take hold of the wire frame at the bottom with thumb and middle finger, then tighten by turning to the right. **BE EXTREMELY CAREFUL NOT TO TOUCH THE MANTLE FOR TO DO SO WILL DAMAGE IT.** Light the Mantle at top edge with a match to burn off protective coating. (See Fig. 1). Place the Chimney in position on the Burner Gallery.

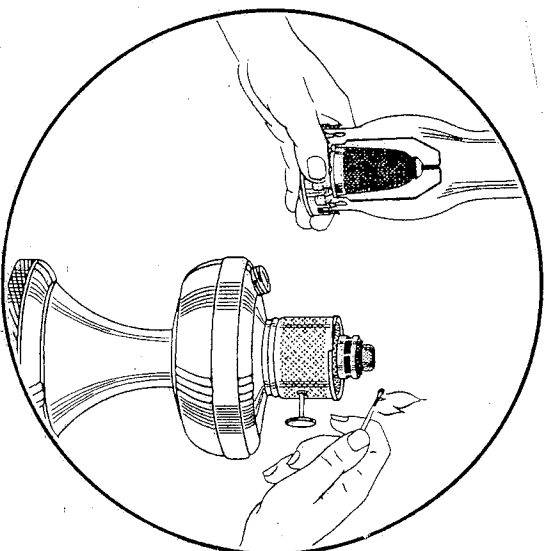


Figure 2

To Light Lamp

After the Wick has been thoroughly soaked for at least 20 minutes unlock the Gallery by turning it to left, then lift it with the Mantle and Chimney from the Burner. (See Fig. 2). Raise the Wick high enough to be lighted. Do not touch the Wick with a match, but light the Wick in two places, so that the flame will quickly travel around the Wick. Turn the Wick down to lower flame, then replace the Gallery in place. e. Wick up slowly and do not try to produce maximum for several minutes. appearance of black spots on the mantles is an indication that the Wick has been turned too high so just lower the Wick a little for a few seconds until the spots disappear.

To Turn Lamp Out

Turn Wick down, then blow across the top of the Chimney. **MAKE SURE FLAME IS OUT.**

Care of the Mantle

The "Triangle Brace" of our Duplex Weave builds much strength into Coleman Mantles. The Mantle will last longer if the Gallery, Mantle and Chimney are kept together and handled as one unit. Leave the Gallery and Mantle locked onto the Burner when removing the Chimney for cleaning. The Mantle has long life unless broken by rough treatment. If the Mantle is punctured or broken, it should be replaced as a broken Mantle will break the Chimney.

Care of the Wick

The Wick of the Coleman Lamp has been properly shaped and charred to give good, even light. If a black spot appears on the Mantle before maximum light is produced, then turn the Wick down and observe the flame. The flame should be fairly even all the way around and it should raise evenly as the Wick is raised. A high point on the flame will be caused by a rough or frayed wick. Make that place smooth by pressing against it gently with a cloth placed over the finger. After several hours use, remove surplus carbon with the Wick Trimmer No. 160-322.

To Use Wick Trimmer

Remove perforated Flame Spreader No. 160-317 from center and Flame Flange No. 160-320 from around the Wick. Place the Wick Trimmer in center tube — revolve to the right (clockwise) and slowly raise the Wick against the Trimmer, only enough to remove the carbon crust. Do not cut too deeply. Leave a smooth, charred surface. The Wick should not be cleaned too often. In many instances it is better to trim the Wick by merely pressing or rubbing against rough place with cloth placed over the finger.

To Replace Wick

First remove the Burner Assembly then remove Perforated Flame Spreader, No. 160-317, Flame Flange No. 160-320 and the Outer Wick Tube, No. 160-316, from the assembly.

The Outer Wick Tube is held in place with bayonet lock, similar to lock on Flame Flange and both parts should be turned slightly to the left and lifted out.

Loosen Knurled Wheel on the Wick Raiser, then pull the Wick Raiser out. Pull the Wick out through top of the Burner.

Install the new Wick but be very careful not to damage the perfectly charred part of the new Wick.

Attach the Wick to the Wick Raiser. Replace the Outer Wick Tube and lock it in place. Install and lock Flame Flange in place. **THESE TWO PARTS MUST ALWAYS BE LOCKED TO THEIR CORRECT POSITION IN ORDER FOR THE LAMP TO OPERATE PROPERLY.** Insert Perforated Flame Spreader.

To Reshape Wick If Lamp Burns Dry

Allowing the Lamp to burn dry DESTROYS the surface of the Wick and a good light cannot be obtained until the Wick has been reshaped.

Put a few tablespoonful of kerosene into the Fount (enough to saturate Wick).

Remove the Flame Spreader and Flame Flange — unlock Outer Wick Tube and raise it up to within 1/4" of Inner Wick Tube.

Turn the Wick up until lowest part of edge is just above the Wick Tube.

Light the Wick.

Remove the Mantle and lock the Burner Gallery and Chimney onto Burner.

Allow the flame to burn with some smoke, until last trace of red ash have gone out — possibly one or two hours.